



**Commercial TV** 15LN766A

# Smart Touch-Screen TV for Patient Rooms

\* All images in this datasheet are simulated for illustrative purposes only.



## 15LN766A

Screen Size	15.6"
Native Resolution	FHD (1,920 × 1,080)
Panel	P-CAP Touchscreen
Speaker	2 W + 2 W (2.0 ch)
Headphone Jack	Replaceable Modular Type
OS	webOS 22 (Pre-loaded Apps Support)
Solution	Pro:Centric (Smart, Direct, V)



### LG webOS 22 15-inch Touchscreen

Explore LG webOS 22 on the 15-inch full HD TV with touchscreen support. From tuning TV channels to accessing a variety of apps\*, it can be easily operated using touch, pleasantly aiding patients who spend a long time in bed.

\* Depending on app's policy, payment may be required for some services.



### Various Apps for Entertainment

LG's swing arm mounted TV 15LN766A has a web browser with various popular game apps that provides users more enjoyable and differentiated experiences.



### Reliable Content Playback with Pro:Idiom

Digital Rights Management (DRM) technology provides access to premium content to help rapid and broad deployment of HDTV and other high-value digital content.



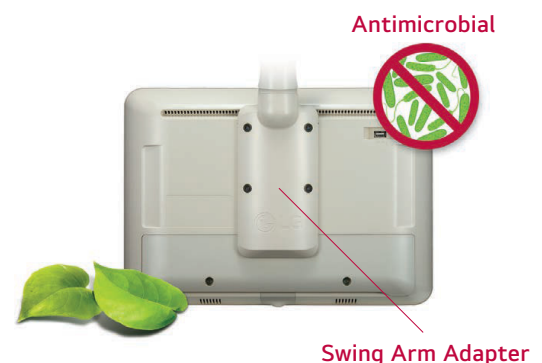
### Stylish and Practical Design

The 15LN766A has a stylish round corner finish and its ivory back cover harmonizes with hospital surroundings. As it meets the VESA standard, it can be also mounted on a wall.



### UL Hospital Grade Listed

The TV is designed for the healthcare and hospital environment, meeting safety requirements by UL.



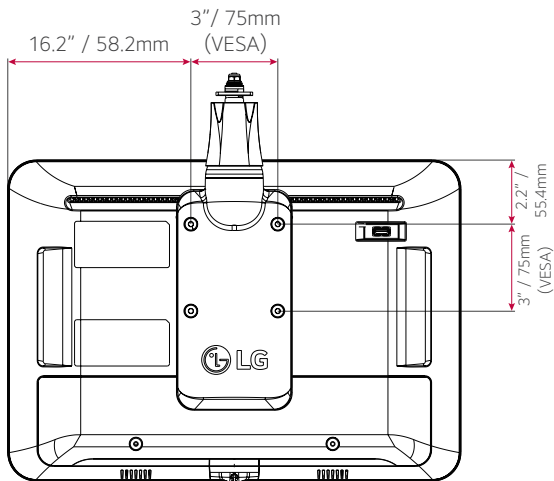
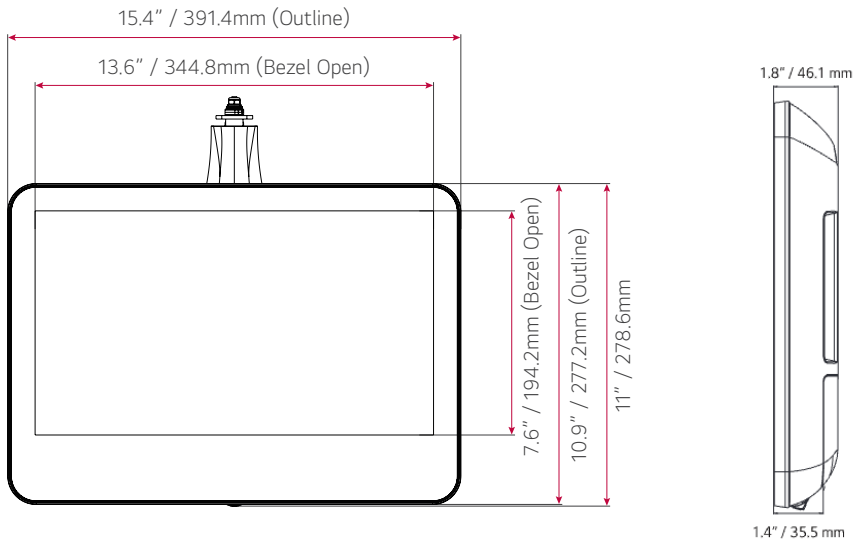
### Power Over Coax (PoC) and Antimicrobial Screen

The 15LN766A can be powered by AC or DC over the coaxial signal cable, negating the need for a separate power supply and cable. And antimicrobial properties applied to the plastic housing of this display conform with the ISO 22196 standard.\*

\* ISO 22196 is the measurement standard for antimicrobial activity on plastics and other non-porous surfaces.

## DIMENSIONS

15.6"

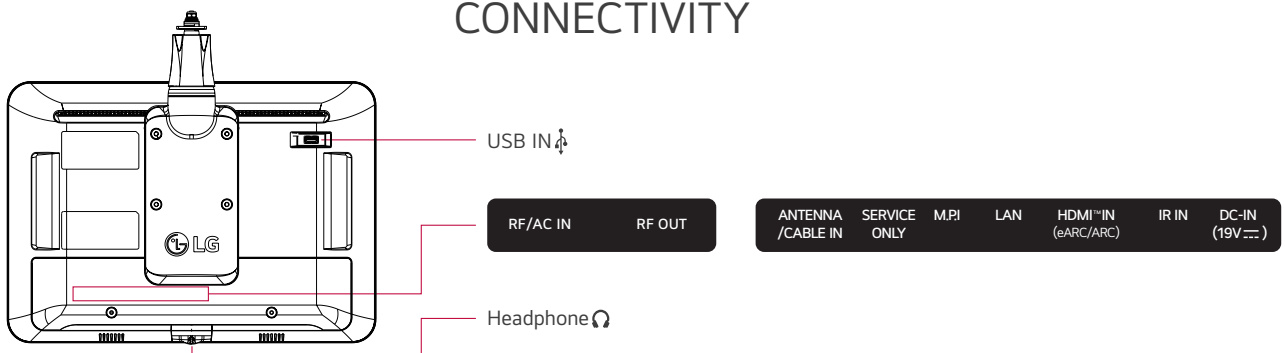


### Featured Partners

The following are Patient Engagement Development Partners that specify the LG Pro:Centric WebOS platform.



## CONNECTIVITY



\* Dimensions & Jack Panels may differ from the above image, so please contact LG sales team to verify before ordering.



## SPECIFICATIONS

## 15LN766A

<b>Category</b>	Category	Pro:Centric Smart
<b>Design</b>	Stand Type	Swing Arm Mount
	Color	Front: Black / Back: White Ivory
<b>Display</b>	Diagonal	15.6"
	Resolution	1,920 x 1,080 (FHD)
<b>Video</b>	HDR 10 Pro / HDR HLG	Yes / Yes
<b>Audio</b>	Speaker (Sound Output)	2 W + 2 W
	Speaker System	2.0 ch
	LG Sound Sync	Bluetooth Wireless
<b>Broadcasting System</b>	Digital (Terrestrial, Cable, Satellite)	ATSC / Clear QAM
	Analog (NTSC / SECAM / PAL)	NTSC
	Global IPTV Support	Yes
<b>Smart TV Solution</b>	Solution Type	Pro:Centric (Smart, Direct, V), Quick Menu 5.0
	DRM	Yes
<b>Smart Features</b>	webOS22, Web Browser, Pre-loaded Apps, SDP Server Compatibility, SoftAP, Wi-Fi (802.11ac), Screen Share (Miracast), Smart Share, Bluetooth Audio Playback, HDMI-eARC/ARC, HTNG-CEC (1.4), Multi-code IR	
<b>Device Management Features</b>	Welcome Screen (Splash Image), Insert Image, One Channel Map (LCM), Instant ON, Touchscreen (P-CAP)	
<b>Jack Interface</b>	Set Rear	USB (2.0)
	Set Rear Bottom	HDMI In (2.0), Antenna/Cable In (Tuner), RJ45 (Ethernet), MPI Port (RJ12 Jack), DC-In jack, RF/AC In [POC (Power Over Coax)], RF Out, IR In (3.5mm TRS)
	Set Front Bottom	Headphone Out (3.5mm TRS)
<b>Mechanical</b>	VESA Compatible	75 x 75 mm
	Dimensions (W x H x D)	15.4 x 11.0 x 1.8 in. 391.4 x 278.6 x 46.1 mm
	Dimensions with Top Mount (W x H x D)	15.4 x 11.0 x 3.2 in. 391.4 x 278.6 x 82.4 mm
	Weight without Stand	6.4 lbs. / 2.9 kg
	Shipping Weight without Stand	8.6 lbs. / 3.9 kg
	On Bezel Width (L/R/T/B)	23.6 / 23.6 / 23.6 / 60.0 mm
	Off Bezel Width (L/R/T/B)	23.3 / 23.3 / 23.3 / 59.7 mm
<b>Electrical</b>	Optional DC Power Supply (AM-PW188A)	Input: 100V 240V AC 50/60Hz, Output: 19V DC 3.42A
	Power Consumption (Typ. / Max.)	33 W / 35 W
	PoC (Power over Coax)	20 to 34 Vac (28 V Typ.) / 22 to 48 Vdc (24 V Typ.)
	Standby Power Consumption	Less than 0.5 W
<b>Regulatory &amp; Certifications</b>	Certifications	UL
	EMC	FCC
<b>Accessories</b>	RF Jumper, Swing Arm Mount (RF, MPI, LAN, HDMI cable extensions), Jack Pack Cover	
<b>Warranty</b>	3 Year Limited	

\* Specifications are subject to change without notice, so please contact LG sales team to verify before ordering.